



## ■ Features

- AC input range selectable by switch
- Withstand 300VAC surge input for 5 second
- Protections: Short circuit / Overload / Over voltage / Over temperature
- Forced air cooling by built-in DC fan
- Built-in cooling Fan ON-OFF control
- 1U low profile
- Withstand 5G vibration test
- LED indicator for power on
- No load power consumption < 0.75W
- 100% full load burn-in test
- High operating temperature up to 70°C
- Operating altitude up to 5000 meters (Note.8)
- High efficiency, long life and high reliability
- 3 years warranty

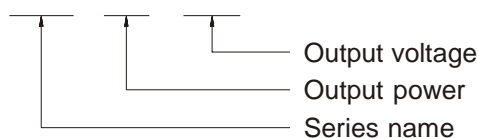
## ■ Description

LRS-350-5 is a 350W single-output enclosed type power supply with 30mm of low profile design. Adopting the input of 115VAC or 230VAC (select by switch).

In addition to the high efficiency up to 89%, with the built-in long life fan LRS-350-5 can work under -25~+70°C with full load. Delivering an extremely low no load power consumption (less than 0.75W), it allows the end system to easily meet the worldwide energy requirement. LRS-350-5 has the complete protection functions and 5G anti-vibration capability; it is complied with the international safety regulations such as IEC/UL 62368-1. LRS-350-5 as a high price-to-performance power supply solution for various industrial applications.

## ■ Model Encoding

**LRS - 350 - 5**



## ■ Applications

- Industrial automation machinery
- Industrial control system
- Mechanical and electrical equipment
- Electronic instruments, equipments or apparatus

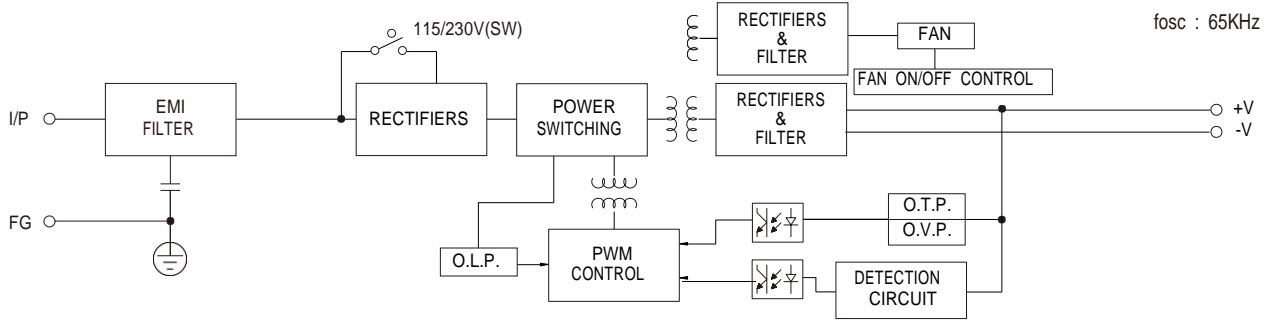
## ■ GTIN CODE

MW Search: <https://www.meanwell.com/serviceGTIN.aspx>

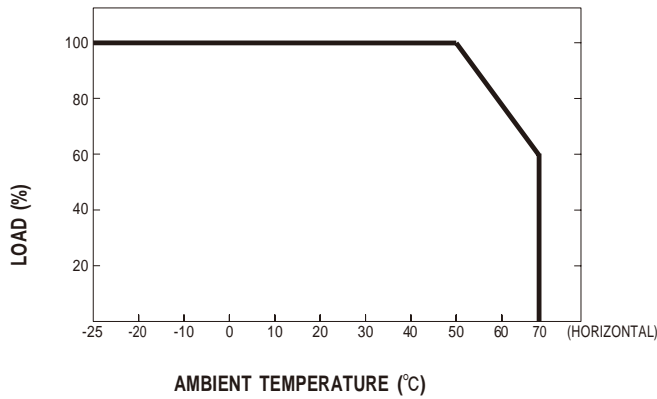
**SPECIFICATION**

<b>MODEL</b>	<b>LRS-350-5</b>	
<b>OUTPUT</b>	DC VOLTAGE	5V
	RATED CURRENT	60A
	CURRENT RANGE	0 ~ 60A
	RATED POWER	300W
	RIPPLE & NOISE (max.) Note.2	150mVp-p
	VOLTAGE ADJ. RANGE	4.5 ~ 5.5V
	VOLTAGE TOLERANCE Note.3	±3.0%
	LINE REGULATION Note.4	±0.5%
	LOAD REGULATION Note.5	±2.0%
	SETUP, RISE TIME	1300ms, 50ms/230VAC      1300ms,50ms/115VAC at full load
	HOLD UP TIME (Typ.)	16ms/230VAC    12ms/115VAC at full load
<b>INPUT</b>	VOLTAGE RANGE	90 ~ 132VAC / 180 ~ 264VAC by switch      240 ~ 370VDC (switch on 230VAC)
	FREQUENCY RANGE	47 ~ 63Hz
	EFFICIENCY (Typ.)	83.5%
	AC CURRENT (Typ.)	6.8A/115VAC    3.4A/230VAC
	INRUSH CURRENT (Typ.)	60A/115VAC    60A/230VAC
	LEAKAGE CURRENT	<2mA / 240VAC
<b>PROTECTION</b>	OVER LOAD	110 ~ 140% rated output power 3.3~36V Hiccup mode, recovers automatically after fault condition is removed. 48V Shut down and latch off o/p voltage, re-power on to recover.
	OVER VOLTAGE	5.75 ~ 6.75V 3.3~36V Hiccup mode, recovers automatically after fault condition is removed. 48V Shut down and latch off o/p voltage, re-power on to recover.
	OVER TEMPERATURE	3.3~36V Hiccup mode, recovers automatically after fault condition is removed. 48V Shut down and latch off o/p voltage, re-power on to recover.
<b>FUNCTION</b>	FAN ON/OFF CONTROL (Typ.)	RTH3≥50°C FAN ON, ≤40°C FAN OFF
<b>ENVIRONMENT</b>	WORKING TEMP.	-25 ~ +70°C (Refer to "Derating Curve")
	WORKING HUMIDITY	20 ~ 90% RH non-condensing
	STORAGE TEMP., HUMIDITY	-40 ~ +85°C, 10 ~ 95% RH
	TEMP. COEFFICIENT	±0.03%/°C (0 ~ 50°C)
	VIBRATION	10 ~ 500Hz, 5G 10min./1cycle, 60min. each along X, Y, Z axes
	OVER VOLTAGE CATEGORY	III: According to EN61558, EN50178, EN60664-1, EN62477-1; altitude up to 2000 meters
<b>SAFETY</b>	SAFETY STANDARDS	IEC/UL 62368-1,BSMI CNS15598-1,EAC TP TC 004,KC K60950-1(for LRS-350-12/24 only),GB 4943.1, BIS IS13252(Part1): 2010/IEC 60950-1: 2005(NOTE 11),BS EN/EN61558-1, BS EN61558-2-16 Designed by AS/NZS 61558.1/2.16, AS/NZS 62368.1,BS EN/EN62368-1,
	WITHSTAND VOLTAGE	I/P-O/P:3.75KVAC    I/P-FG:2KVAC    O/P-FG:0.5KVAC
	ISOLATION RESISTANCE	I/P-O/P, I/P-FG, O/P-FG:100M Ohms/500VDC / 25°C/ 70% RH
	EMC EMISSION	Compliance to BSMI CNS15936, EAC TP TC 020,KC KN32,KN35(for LRS-350-12/24 only)
	EMC IMMUNITY	Compliance to BS EN/EN55035, EAC TP TC 020,KC KN32,KN35(for LRS-350-12/24 only)
<b>OTHERS</b>	MTBF	2099.9K hrs min. Telcordia SR-332 (Bellcore) ; 328.6Khrs min. MIL-HDBK-217F (25°C)
	DIMENSION	215*115*30mm (L*W*H)
	PACKING	0.76Kg; 15pcs/12.4Kg/0.67CUFT
<b>NOTE</b>	<ol style="list-style-type: none"> <li>All parameters NOT specially mentioned are measured at 230VAC input, rated load and 25°C of ambient temperature.</li> <li>Ripple &amp; noise are measured at 20MHz of bandwidth by using a 12" twisted pair-wire terminated with a 0.1uf &amp; 47uf parallel capacitor.</li> <li>Tolerance : includes set up tolerance, line regulation and load regulation.</li> <li>Line regulation is measured from low line to high line at rated load.</li> <li>Load regulation is measured from 0% to 100% rated load.</li> <li>Length of set up time is measured at cold first start. Turning ON/OFF the power supply very quickly may lead to increase of the set up time.</li> <li>The 150% peak load capability is built in for up to 1 second for 12~48V.LRS-350 will enter hiccup mode if the peak load is delivered for over 1 second and will recover once it resumes to the rated current level(115VAC/230VAC).</li> <li>The ambient temperature derating of 5°C/1000m is needed for operating altitude greater than 2000m(6500ft).</li> <li>This power supply does not meet the harmonic current requirements outlined by BS EN/EN61000-3-2. Please do not use this power supply under the following conditions: <ol style="list-style-type: none"> <li>the end-devices is used within the European Union, and</li> <li>the end-devices is connected to public mains supply with 220Vac or greater rated nominal voltage, and</li> <li>the power supply is: <ul style="list-style-type: none"> <li>installed in end-devices with average or continuous input power greater than 75W, or</li> <li>belong to part of a lighting system</li> </ul> </li> </ol> Exception: Power supplies used within the following end-devices do not need to fulfill BS EN/EN61000-3-2 <ol style="list-style-type: none"> <li>professional equipment with a total rated input power greater than 1000W;</li> <li>symmetrically controlled heating elements with a rated power less than or equal to 200W</li> </ol> </li> <li>RCM is on voluntary basis and meets relevant IEC or AS/NZS standards complying with AS/NZS 4417.1.</li> <li>Some model may not have the BIS logo, please contact your MEAN WELL sales for more information.</li> </ol> <p>※ Product Liability Disclaimer: For detailed information, please refer to <a href="https://www.meanwell.com/serviceDisclaimer.aspx">https://www.meanwell.com/serviceDisclaimer.aspx</a></p>	

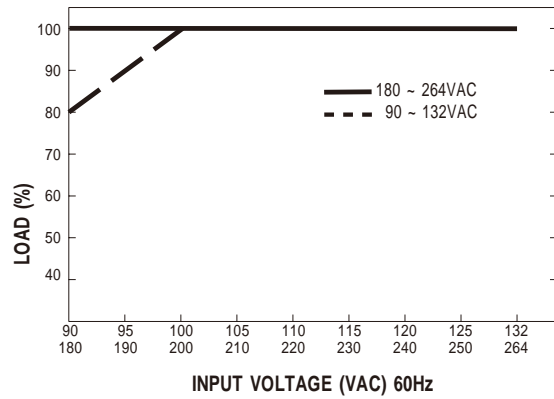
■ Block Diagram



■ Derating Curve



■ Static Characteristics

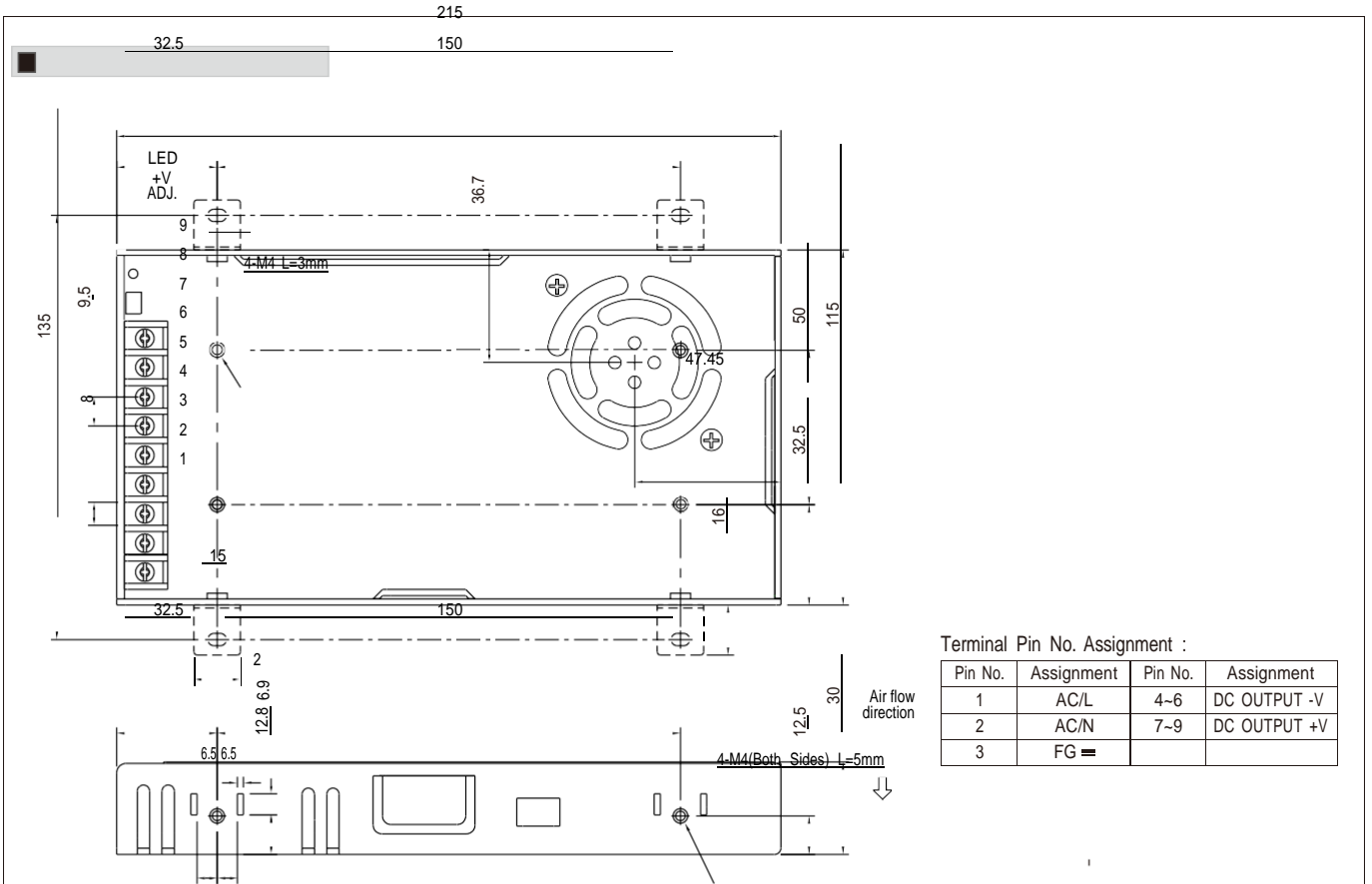




Mechanical Specification

Case No.207A

Unit:mm



Terminal Pin No. Assignment :

Pin No.	Assignment	Pin No.	Assignment
1	AC/L	4~6	DC OUTPUT -V
2	AC/N	7~9	DC OUTPUT +V
3	FG		

Installation Manual

Get more info to : <https://www.led-card.com/manufacturer/meanwell/>